

## DOP-W Series HMI

### Introduction



### Product Features of DOP-W



#### The Ultimate Work Made with Excellent Standard

- 1GHz high speed Processor and higher computing performance.
- Aluminum enclosure—higher level of vibration resistance and higher tolerance for ambient environment compared with plastic enclosure.
- The enclosure with dark-colored and dedicated mold texturing can be easily cleaned and suitable for medical use and food sectors.
- 1024\*768 high resolution/brightness display  
(W127B: 500 cd/m<sup>2</sup>, W157B: 450 cd/m<sup>2</sup>)
- 256MB large Flash ROM
- Highly reliable touch panel with min. 10,000,000 touches.



### Multiple Supports

- Supports 2 COM Ports
- Supports 2 Ethernet Ports
- Supports 3 USB Host 2.0 Ports
- Supports SD card
- Apart from traditional mounting, DOP-W also supports VESA standard mounting interface and makes wall mounts easier.

\* VESA mounting interface is only available on devices above 12 inches.



### Front Speaker

- The built-in dual channel amplifying speaker provides efficient alarm notifications. No additional speaker is required.
- Apart from replacing general alarm by buzzers, function of playing recorded voice and reminders are available for multiple applications.
- Mechanism design breakthrough. Front panel including the front speaker have acquired the IP65 waterproof certificate.

### More Powerful Remote Monitoring Function

- Compatible with eRemote
- Supports VNC Server
- Monitoring by eRemote software or web browser on PC
- Apps for eRemote or VNC Client supported Apps on Android devices
- VNC Client supported Apps on iOS devices.

\* Supports VNC function only during the launching period. eRemote of PC/Android version for DOP-W are scheduled to release in 2015, Jan.

\*\* JAVA is required in web browsers.



MPEG1

MPEG2

WMV

### Video Player

- A brand-new function of video player with self-defined playlist allows users to manage the list based on different applications.

\* Supported Format : MPEG1, MPEG2, WMV

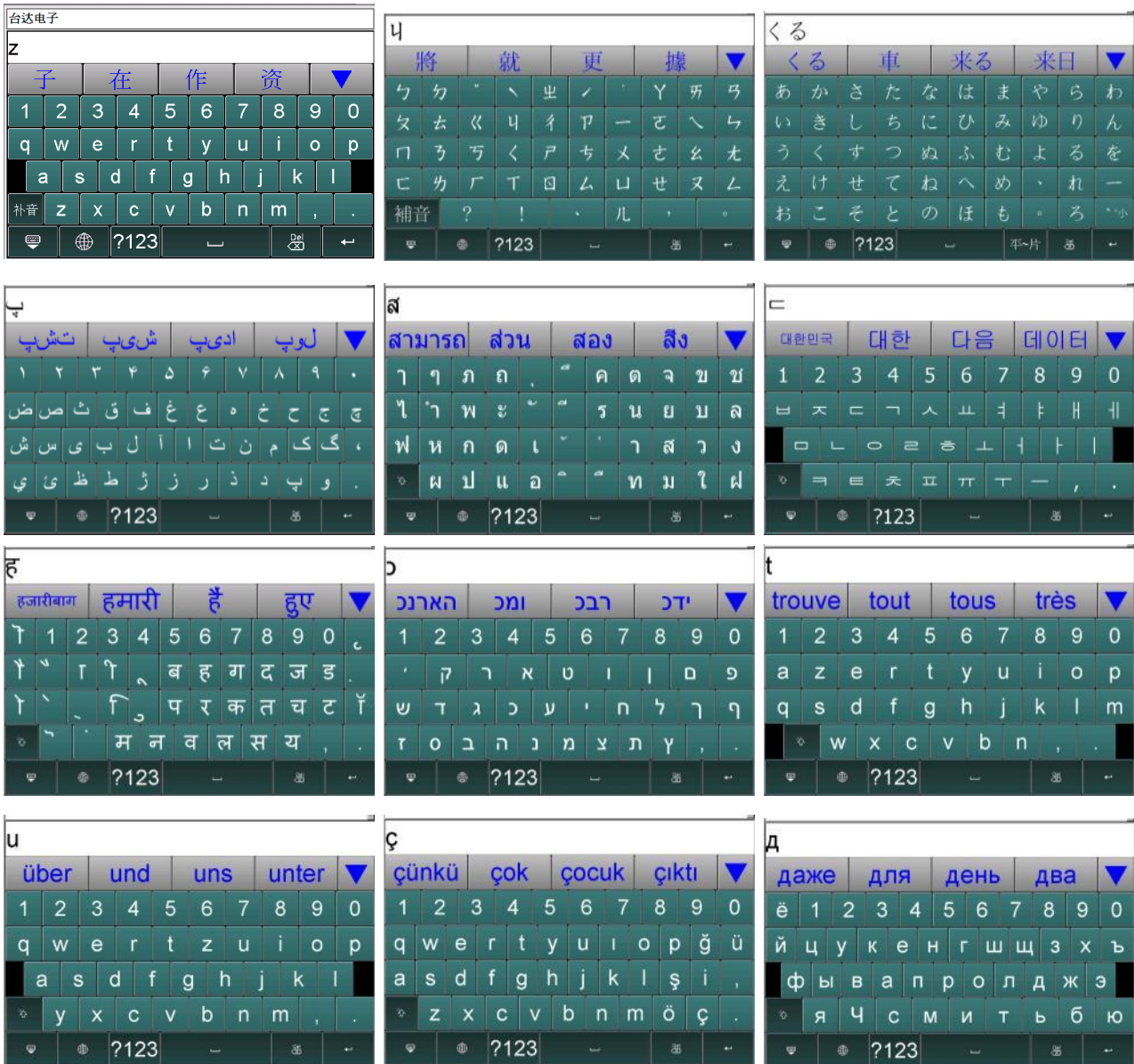
## New Product Launch

### Multilingual

- In addition to English and numbers, 14 languages are supported with more localized interface.

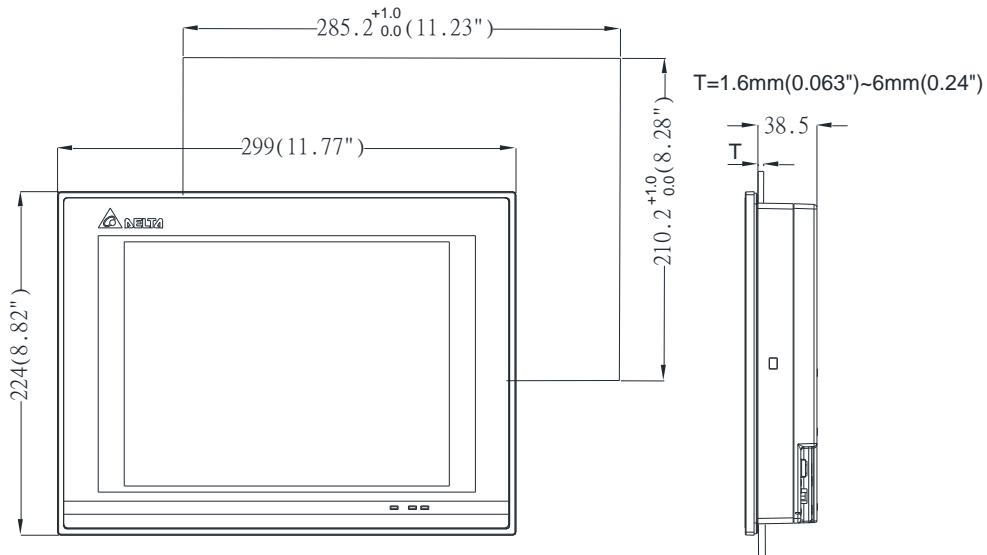
\*Supports English, Traditional Chinese, and Simplified Chinese only during the launching period.

\*Other languages such as Arabic, French, German, Hebrew, Hindi, Japanese, Korean, Thai, Turkish, Russian, and Persian are continually added.

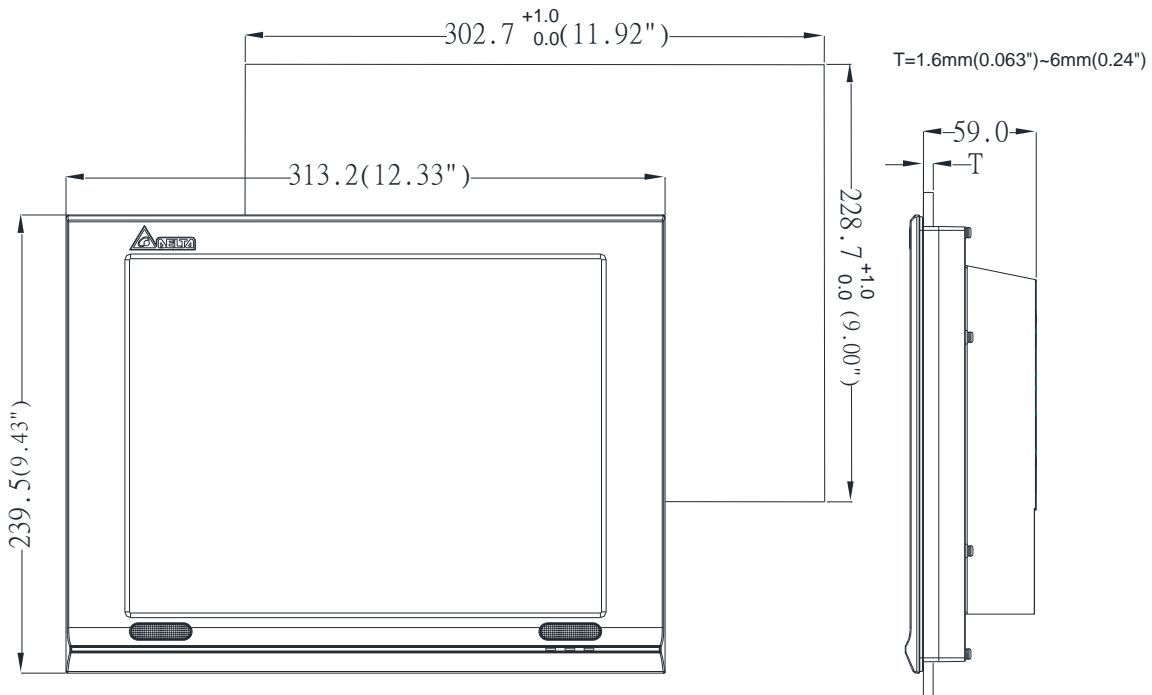


**Product Dimensions**

**DOP-W105B ( Panel Cut-out )**



**DOP-W127B ( Panel Cut-out )**

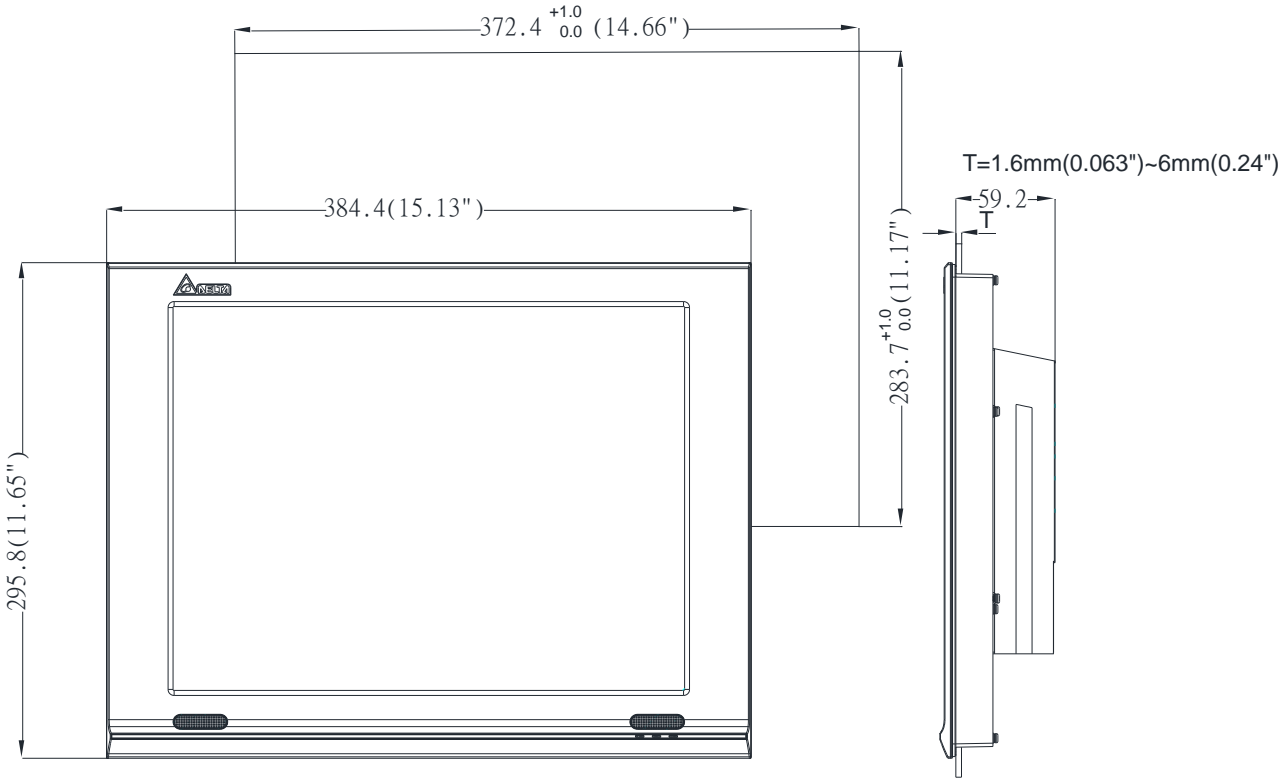




# New Product Launch

# Newsletter

## DOP-W157B ( Panel Cut-out )





Specifications

MODEL		DOP-W105B	DOP-W127B	DOP-W157B
LCD MODULE	Display Type	10.4" TFT LCD	12.1" TFT LCD	15" TFT LCD
	Resolution	800 x 600 pixels	1024 x 768 pixels	
	Backlight	LED Back Light		
	Backlight Life	less than 10,000 hours	less than 30,000 hours	less than 80,000 hours
	Luminance	300 cd/m <sup>2</sup> (Typ.)	500 cd/m <sup>2</sup> (Typ.)	450 cd/m <sup>2</sup> (Typ.)
	Display Size	211.20 x 158.40mm	245.76*184.32mm	304.1*228.1mm
MCU		ARM Cortex-A8 (1GHz)		
ROM		256 MB		
RAM		256 MB		
Touch Screen Interface		4-wire resistive touch screen > 10,000,000 operated		
Buzzer		Multi-Tone Frequency ( 2K ~ 4K Hz ) / 80dB		
Audio Output		Stereo Headphone jack only	Stereo Headphone jack + Built in 1.5W Speaker	
USB		3 USB Host Ver 2.0		
SD		SDHC x 1		
Serial COM Port	COM1	N/A		
	COM2	RS-232 / RS-422 / RS-485 (has built-in isolated power circuit)		
	COM3	RS-232 / RS-422 / RS-485 (has built-in isolated power circuit)		
Ethernet		2 Ports		
Perpetual Calendar (RTC)		Built-in		
Safety Approval		CE / UL		
Waterproof Degree		IP65 / NEMA4		
Operation Voltage		DC +24V ( -10% ~ +15% ) (please use isolated power supply)		
Voltage Endurance		AC500V for 1 minute (between charging (DC24V terminal) and FG terminals)		
Power Consumption		13.5W (Max)	18.5W (Max)	21.6W (Max)
Backup Battery		uses a gold-capacitor instead of a battery, no need replacement of batteries		
Backup Battery Life		It can keep the RTC work at least seven days under the working environment where the conditions do not exceed the specifications for DOP-W series.		
Operation Temperature		0°C ~ 50°C		
Dimensions (W) x (H) x (D) mm		299 x 224 x 46.8	313 x 239.5 x 67.5	384.4*295.8*67.8
Panel Cutout (W) x (H) mm		285.2 x 210.2	302.7 x 228.7	372.4*283.7
Weight		Approx. 1750g	Approx. 2830g	Approx. 3880g



**Ordering Information**

DOP-W      □□      5      B  
**①**            **②**            **③**            **④**

<b>①</b> Series	DOP-W: Delta W Series HMI
<b>②</b> Display Size	10 : 10.4 inches LCD Display 12 : 12 inches LCD Display 15 : 15inches LCD Display
<b>③</b> Resolution	5 : SVGA TFT (800*600) 7 : XGA TFT (1024*768)
<b>④</b> Type	B : Standard

**Launch Schedule**

Model	Planned Order Date	Min. Ordering Quantity
DOP-W105B	2014,11	4 pcs.
DOP-W127B	2014,11	4 pcs.
DOP-W157B	2014,11	1 pcs.